



**BONN HUNGARY
ELECTRONICS**

**UMTS
BAND-SELECTIVE
MACRO-REPEATER**

**BRPL14
NDS # 911**

an ISO 9001 Certified Company

- 5 W OUTPUT POWER
- HIGH SENSITIVITY
- HIGH DYNAMIC RANGE
- SMALL SIZE

PRELIMINARY



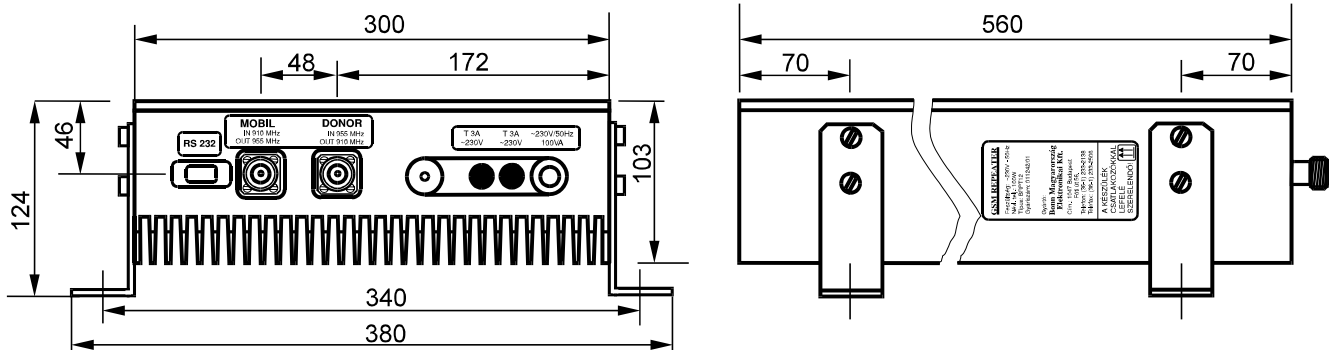
This repeater is intended for use in UMTS outdoor systems. It is a compact and reliable unit and it is especially advantageous to use it in villages, tunnels, or open fields where the field strength is weak. It is a cost effective solution to cover areas, which cannot be covered economically with base stations. It is a very economical solution, can be installed easily, can be monitored and set by remote control software.

ELECTRICAL CHARACTERISTICS :

Frequency Band Uplink	1920 – 1980 MHz
Frequency Band Downlink	2110 – 2170 MHz
Frequency Bandwidth (Up/Downlink)	5 – 10 – 15 – 20 – 25 – 30 MHz (*)
Mode of Operation	band selective duplex
Nominal Gain	80 dB
Gain Setting	80 to 50 dB in 1 dB steps
Gain Ripple	± 1 dB typical ± 2 dB max.
RF Output Power (downlink / uplink)	+ 30 / 27 dBm @ meets with ETSI regulation
Input Noise Figure	< 4 dB typ.
EVM	4 % typ. 12,5 % max.
PCDE	<-45 dB typ. -35 dB max
ACRR	40 dB typ. 20 dB min.
Spurious Radiation	According to the ETSI regulation
RF Connectors	N – female
Supply Voltage	230V / 50 – 60 Hz AC
Power Consumption	~ 100 VA
Weight	22 kg
Operating temperature range	- 20 to + 50 °C
Application	Outdoor

(*) Center frequency and bandwidth can be specified in the whole UMTS band.
Specifications are subject to change without notice.

OUTLINE DIMENSIONS (mm):



BONN Elektronik 
RF Systems, Instruments and Components

Rudolf-Diesel-Str.18 · D-85521 Ottobrunn · Tel +49 (0)89/608 754-0 · Fax +49 (0)89/608 754-99
email: info@bonn-elektronik.com · home: www.bonn-elektronik.com